

LEVIXO 40/60 24V RTS

BARRIERS

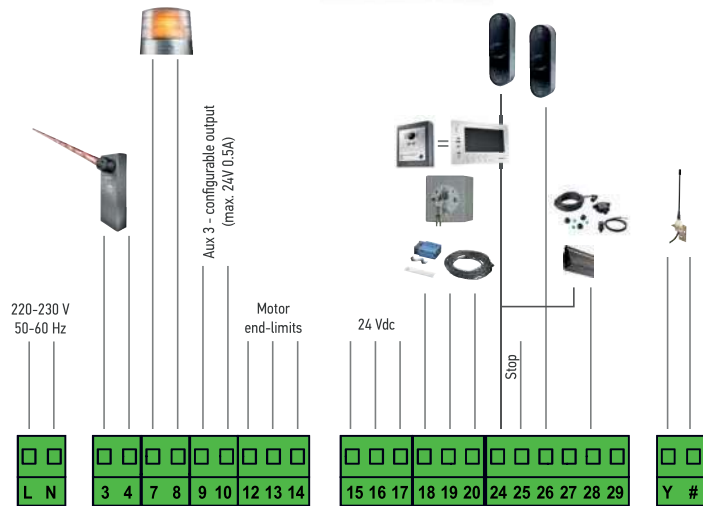


Fixation kits for rounded or rectangular booms



Adjustable settings to suit your application

General wiring diagram



Fast, intensive and reliable, made for collective

Intensive & collective use

- Intensive use with 2 000 operations per day thanks to the 24V motor
- Automatic closing with adjustable delay
- Led settings for warnings
- Fast closing setting with immediate closing after photocells detection
- Courtesy light
- Differentiated open and close wired input compatible for schedule operation

Fast in motion

- Fast opening and closing from 2.5s to 9s
- Full control of barrier speed thanks to adjustable acceleration, travel speed and deceleration
- 346 cycles/hour in intensive use

User safety

- Built-in obstacle detection thanks to encoder technology
- Adjustable brake at end closing
- Full control of barrier forces with adjustable opening and closing torques
- Orange light with 2s warning

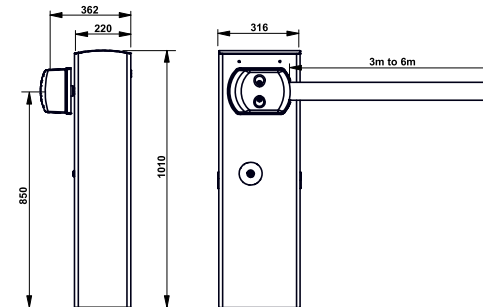
Product security

- Mechanical and electronic end limits for secured and accurate operation
- Various independent fuses to protect the control board

Two models

- Levixo 40 24V RTS: up to 4 meters
- Levixo 60 24V RTS: up to 6 meters

General overall size



Technical characteristics

Mains power supply	230 V	Opening time	Levixo 40	2.5 s to 6 s
Motor voltage	24V		Levixo 60	3 s to 9 s
Maximum power consumption	300 W	RTS radio frequency	433.42 MHz	
Accessories power supply	24 V / 0.5 A	Number of remote controls	128 channels maximum	
Maximum number of operations/day (Openings/Closings)	2 000	Index of protection	IP 54	
Maximum number of cycles per hour	346	Operating temperature	-20°C to +55°C	
Motor torque	Levixo 40 130 Nm Levixo 60 260 Nm	Maximum boom length*	Levixo 40	4 m
			Levixo 60	6 m

*given for boom without extra accessories

